



## Dimensions

Height	1 814mm (without hopper)
Width	1 568mm
Depth	1 586mm
Weight	1 646 Kg
Feed Width	834 x 414mm
Roto Knives	3 x 2

## Performance

Power Supply	415V 3 Phase
Motor	22 kW
Shaft Speed	627rpm

## Features

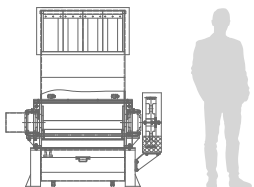
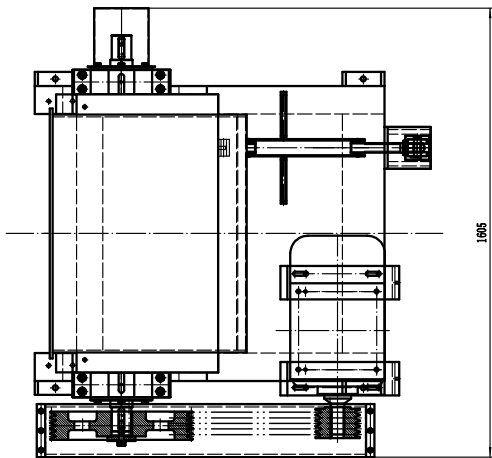
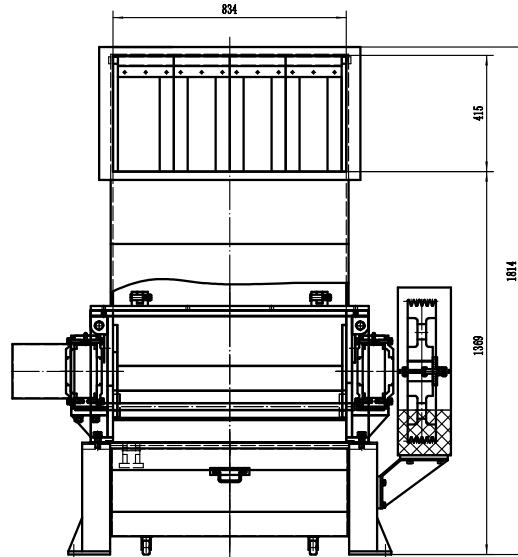
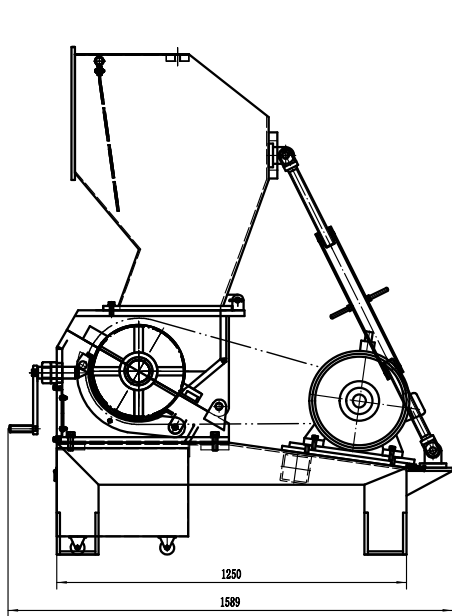
- Hardened steel rotor knives
- Material sizing screens
- Auto Reverse Protection
- Easy Maintenance
- Reliable & Durable Construction
- Control Panel

## Optional Extras

- Sound Proof Enclosure
- Various Rotors for different plastics
- In-Feed & Out-feed Conveyors
- Out-Feed Extraction Units
- Outfeed screw loaders
- Custom hopper design



Dimensions and technical information without obligation. Subject to change.



Size Comparison



**Safety**  
E-Stops, AS  
Standards,  
Interlocked doors



**Motor**  
22kW



**Waste Types**  
Mixed Plastics, HDPE,  
PET, Mixed Fabric,  
E-waste ...

