



## Roll Packer Specifications

Height	6 746 mm
Width	6 969mm (2 bin positions)
Length	5 098 mm
Clearance Height	6 700 mm
Drum Weight	1 200 Kg
Drum Speed	6rpm
Maximum Bin Height	2 700mm (optional 3 100mm)
Maximum Bin Length	6 600mm (optional 7 200mm)
Motor	5.5kW
Power Supply	415V 3-phase
Weight	4200kg

[More product info on our website >>](#)

## Features

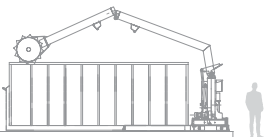
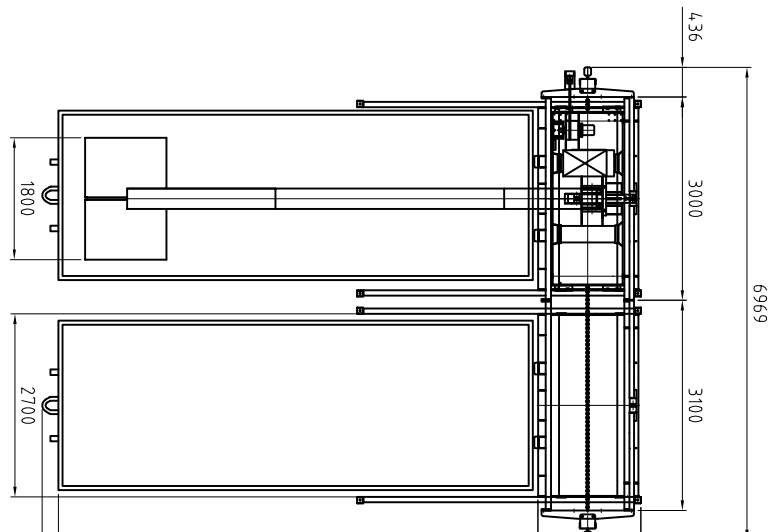
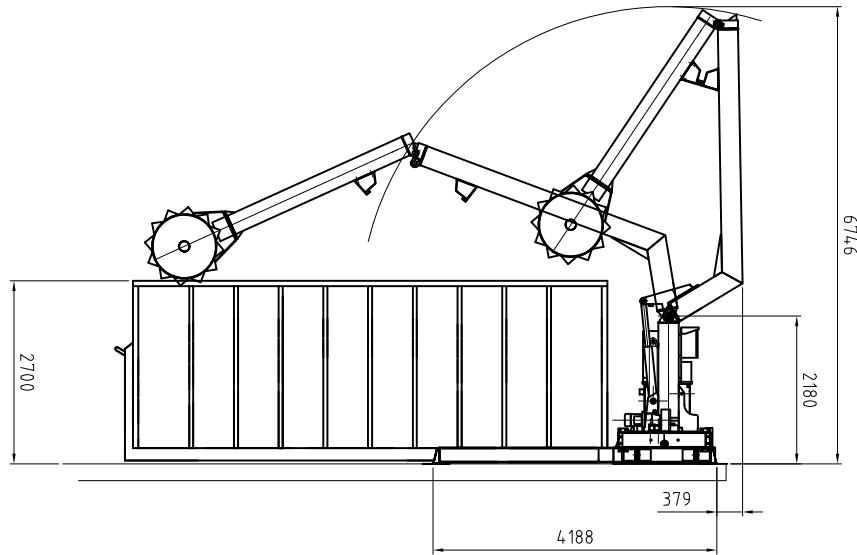
- High compaction force optimising transport payloads
- Suitable for a range of waste material
- Easy & safe to operate
- Robust design & build - engineered for long life and optimum performance
- Built in power pack for security and safety of personnel

## Optional Extras

- Special-purpose compaction head
- Drum cleaning comb
- Air conditioning
- Bin lifting device for moving skip bins



Dimensions and technical information without obligation. Subject to change.



Size Comparison



A compaction drum  
that rolls forward  
and backward



**Approx Weight**  
7 000



**Motor**  
5.5kW



**Weight**  
Drum  
1 200 Kg

