



Dimensions

Model	GPMM-System	GPMM-Along
Height	3 287mm	3 287mm
Width	2 598mm	2 598mm
Lenght	4 059mm	1 270mm
Weight	1 950 Kg	1 361 Kg
Feed Opening	305 x 305mm	305 x 305mm

Performance

Troughput (m ³ /hr.)	Up to 1.5m ³ /hr. (Whole or Broken Glass)	Up to 1.5m ³ /hr. (Whole or Broken Glass)
Motor	3.73kW/.75 kW	3.73kW
Power Supply	208-230/460v 3 Phase	208-230/460v 3 Phase

Features

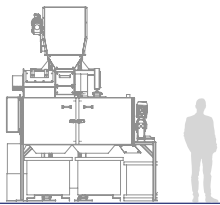
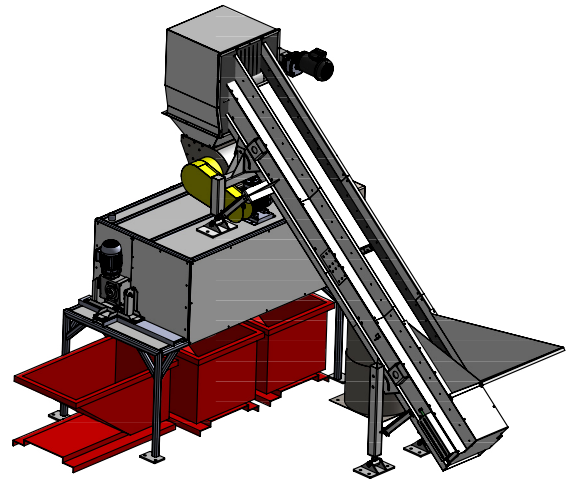
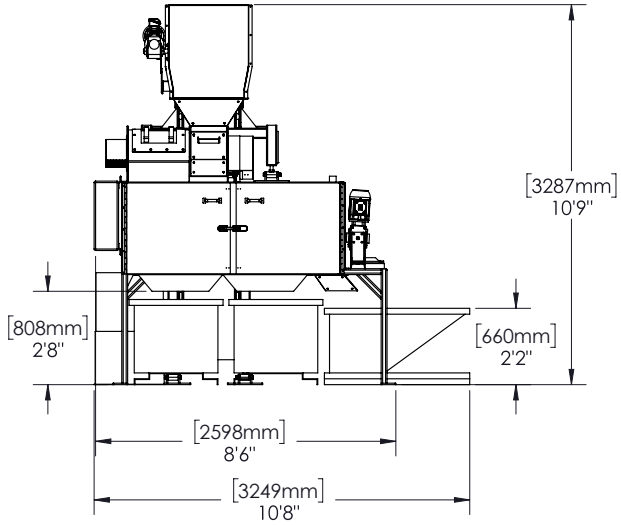
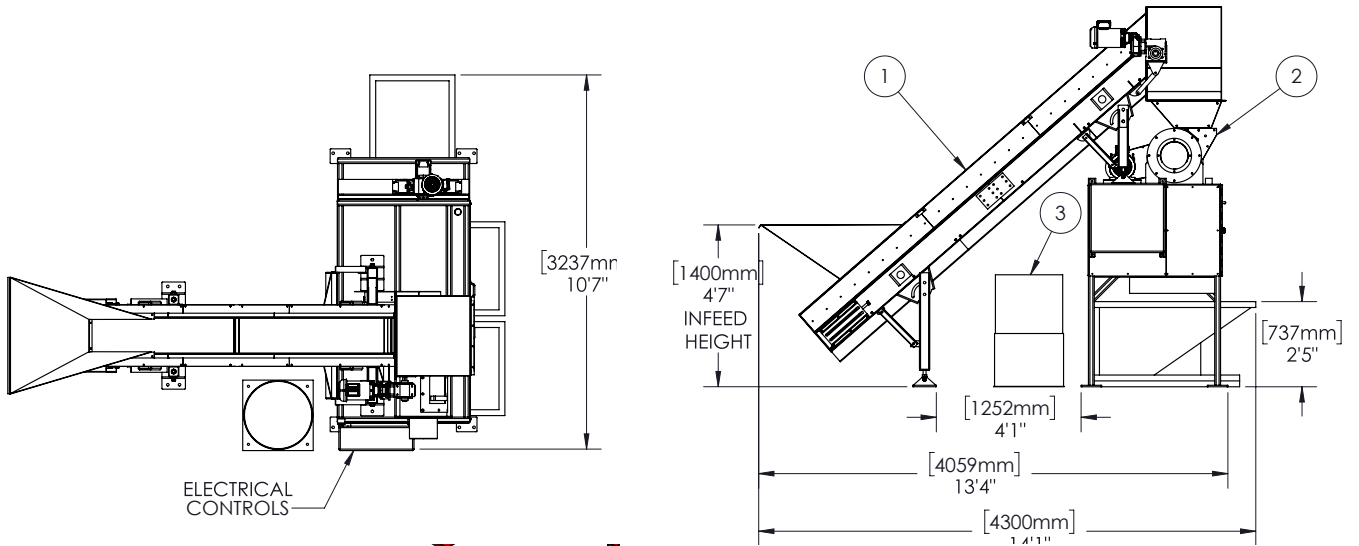
- Patented flexible impactor technology
- Integrated trommel separates glass and non-glass residue
- Compact and easy to operate/maintain

Optional Extras

- Dust Suppression Misting System
- Mini Paper Removal System



Dimensions and technical information without obligation. Subject to change.



Size Comparison



Compaction Ratio
Up to 5:1



Motor
3.73kW/.75kW



Waste Types
Glass

