



### Baler Dimensions

Height	3 569 mm
Width	2 106 mm
Depth	1 238 mm
Weight	1 938 kg
Transportation Height	2 492 mm
Power Supply	415V 3 Phase
Motor	5.5kW 20A
Pressing Force	Up to 50T
Noise Level	72 dB
Cycle Time	50 Seconds

### Bale Dimensions

Height	1 000 mm
Width	1 501 mm
Depth	800 mm
Weight	Up to 550kg

### Loading Aperture Sizes

Height	880 mm
Width	1 501 mm

### Baler Features

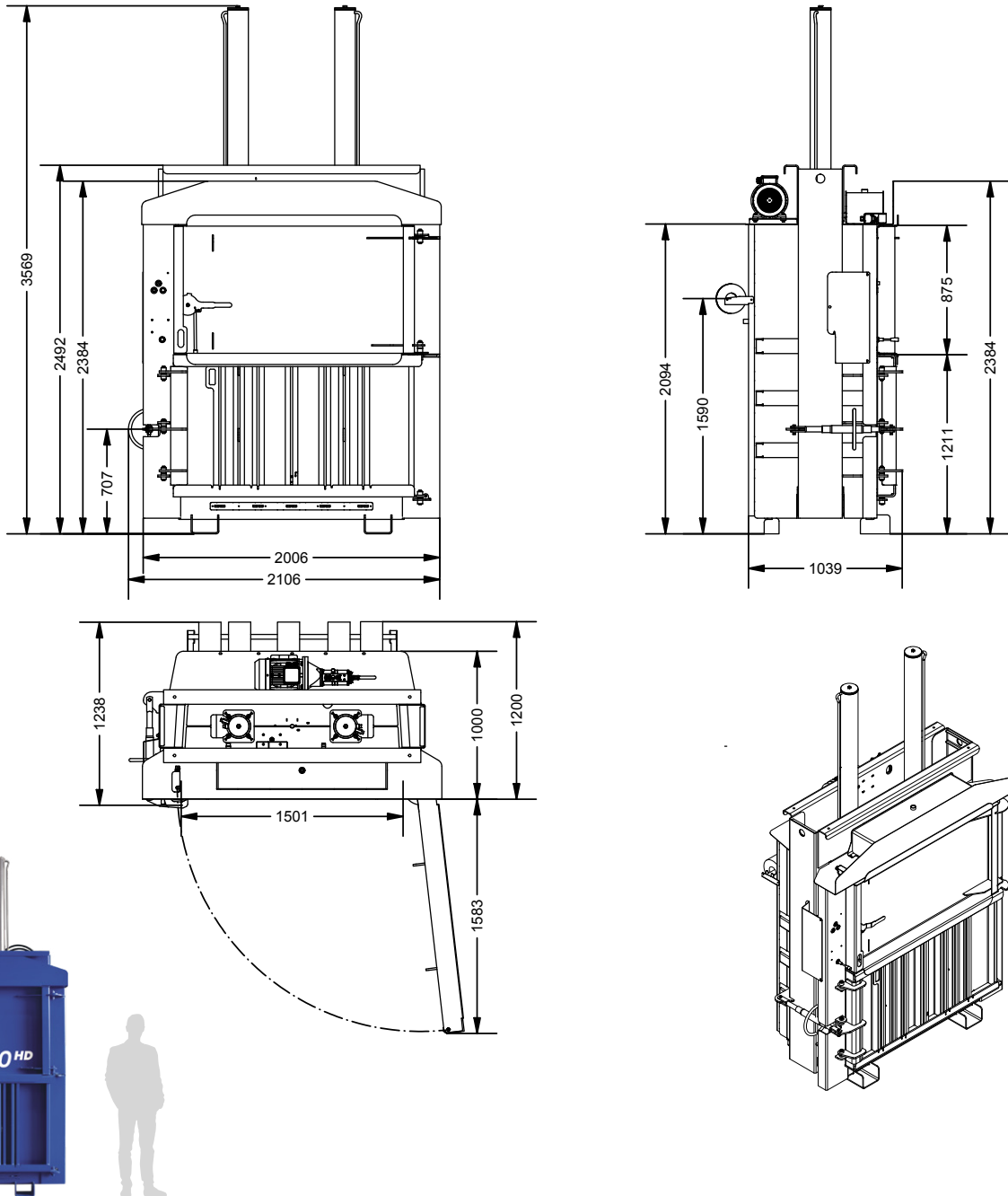
- Produces a mill-sized bale
- Long ram system provides high density bales
- Can bale a variety of waste products including plastic bottles, textiles & heavy-duty materials
- Retaining claws to reduce spring back
- Fully automated bale ejector to simplify removal of bale
- Twin rams
- 2 year warranty

### Optional Extras

- Galvanised finish
- Sliding door



Dimensions and technical information without obligation. Subject to change.



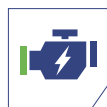
Size Comparison



**Bale Weight**  
Up to 550 Kg



**Pressing Force**  
Up to 50 Ton



**Motor**  
5.5kW 20A



**Waste Types**  
Cardboard, Plastic  
Film, Tyres, Paper,  
E-Waste, Cans ...

