



Baler Dimensions

| | |
|-----------------------|--------------|
| Height | 2 019 mm |
| Width | 1 070 mm |
| Depth | 731 mm |
| Weight | 230 kg |
| Transportation Height | 1 645 mm |
| Power Supply | 240V 1 Phase |
| Motor | 1.5kW 10A |
| Pressing Force | Up to 3.5T |
| Noise Level | 62 dB |
| Cycle Time | 24 Seconds |

Bale Dimensions

| | |
|--------|------------|
| Height | 735 mm |
| Width | 702 mm |
| Depth | 500 mm |
| Weight | Up to 60kg |

Loading Aperture Sizes

| | |
|--------|--------|
| Height | 492 mm |
| Width | 702 mm |

Baler Features

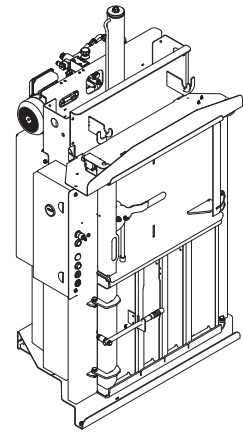
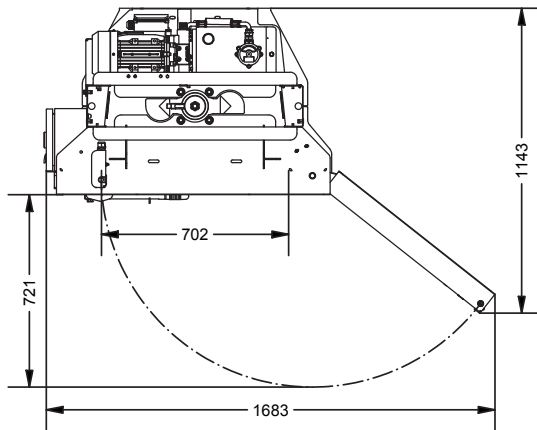
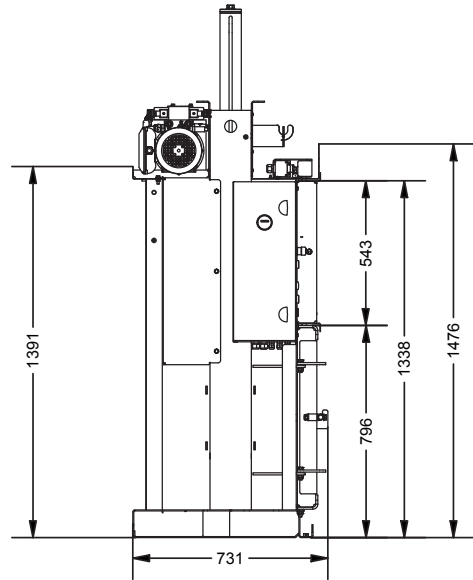
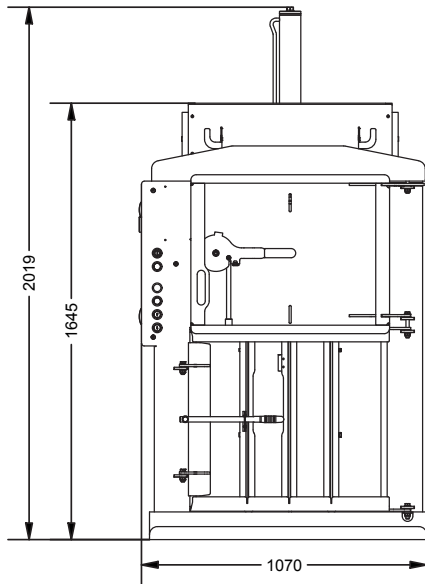
- Retaining claws to prevent spring back of material
- PLC Panel with automatic compaction cycles
- Bale full indicator
- 2 year warranty

Optional Extras

- Galvanised finish



Dimensions and technical information without obligation. Subject to change.



Size Comparison



Bale Weight
Up to 60 Kg



Pressing Force
Up to 3.5 Ton



Motor
1.5kW 10A



Waste Types
Cardboard, Plastic
Film, Paper, LDPE
Film ...

