



Baler Dimensions

Height	2 005 mm
Width	2 050 mm
Depth	913 mm
Weight	562 kg
Power Supply	240V 1 Phase
Motor	1.5kW 10A
Pressing Force	Up to 3.5T
Noise Level	62 dB
Cycle Time	35 Seconds

Bale Dimensions

Height	1 000 mm
Width	696 mm
Depth	500 mm
Weight	Up to 75kg

Loading Aperture Sizes

Depth	500 mm
Width	696 mm

Baler Features

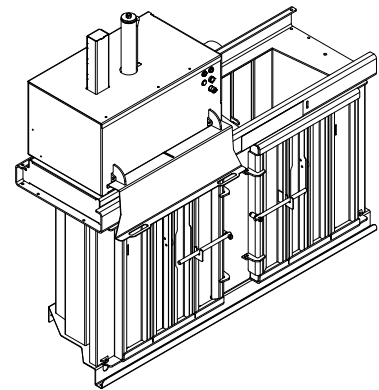
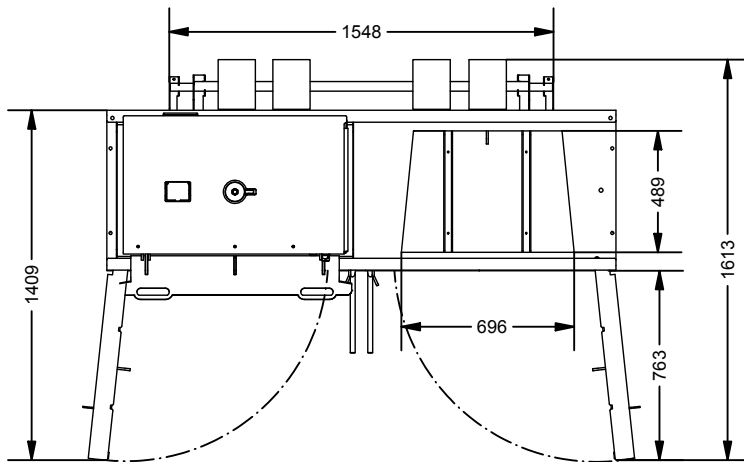
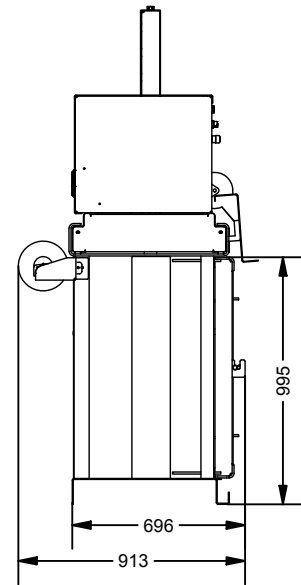
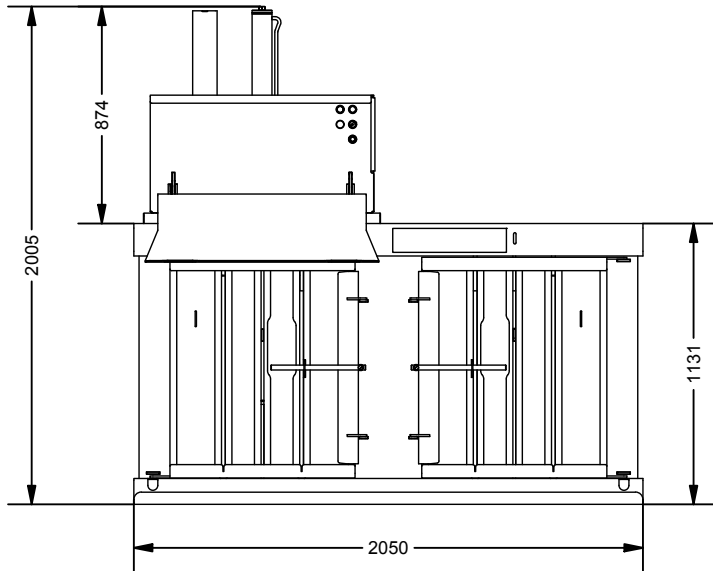
- Top loading baler
- Suitable for positioning where space & height is limited
- For small to medium volumes of waste
- PLC Panel with automatic compaction cycles
- Bale full light
- 2 year warranty

Optional Extras

- Up to 6 additional chambers can be added
- Compaction head parking bay to free up all chambers
- Galvanised finish



Dimensions and technical information without obligation. Subject to change.



Size Comparison



Bale Weight
Up to 75 Kg



Pressing Force
Up to 3.5 Ton



Motor
1.5kW 10A



Waste Types
Cardboard, Plastic
Film, Paper, E-Waste,
Cans, LDPE Film ...

