



Dimensions

Height	1 740 mm
Width	1 328 mm
Depth	1 483 mm
Weight	890 kg
Feed Width	634 mm
Roto Knives	3 x 2

Performance

Power Supply	415V 3 Phase
Motor	15 kW
Shaft Speed	591rpm

[More product info on our website >>](#)

Features

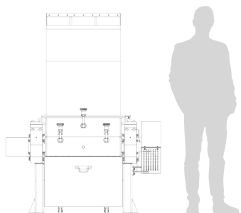
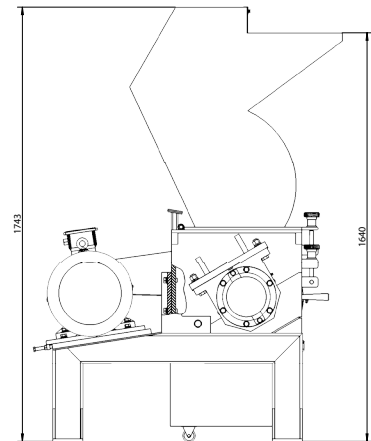
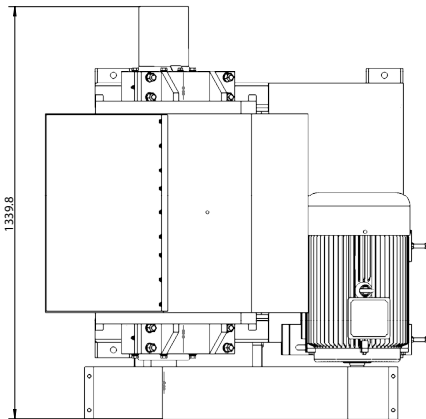
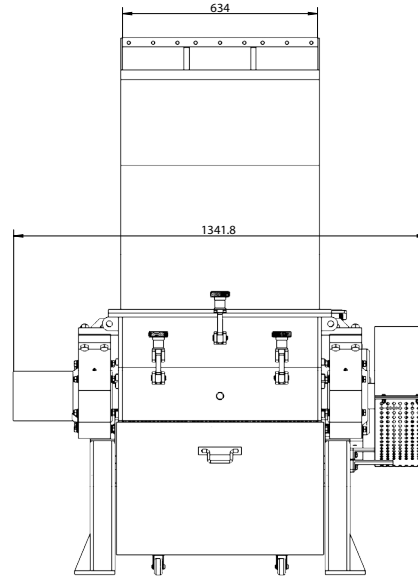
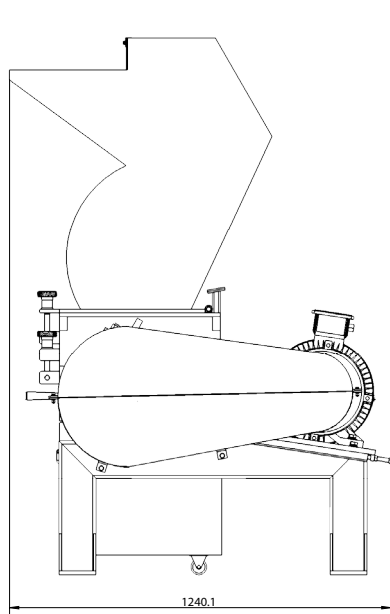
- Hardened steel rotor knives
- Material sizing screens
- Auto Reverse Protection
- Easy Maintenance
- Reliable & Durable Construction
- Control Panel

Optional Extras

- Sound Proof Enclosure
- Various Rotors for different plastics
- In-Feed & Out-feed Conveyors
- Out-Feed Extraction Units
- Outfeed screw loaders
- Custom hopper design



Dimensions and technical information without obligation. Subject to change.



Size Comparison



Safety
E-Stops, AS
Standards,
Interlocked doors



Motor
15kW



Waste Types
Mixed Plastics, HDPE,
PET, Mixed Fabric,
E-waste ...

